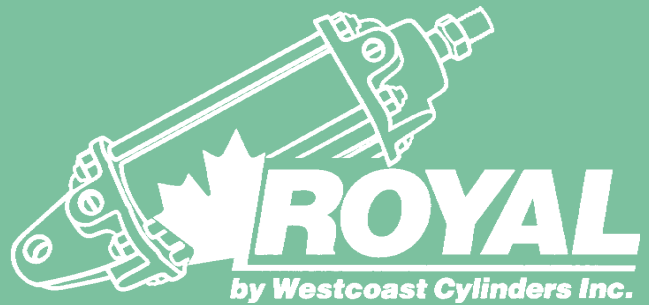
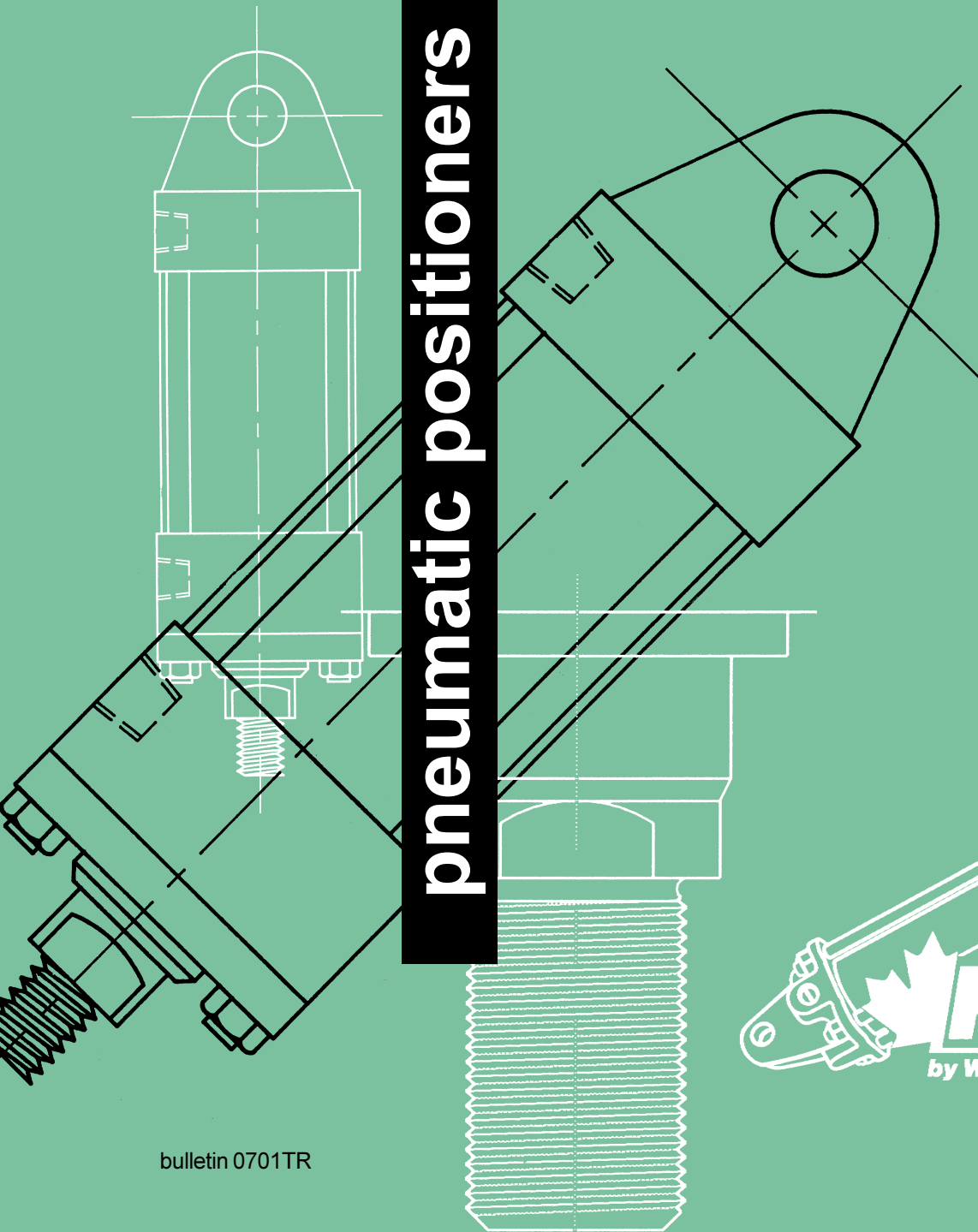


250
psi rating

series

TR

pneumatic positioners



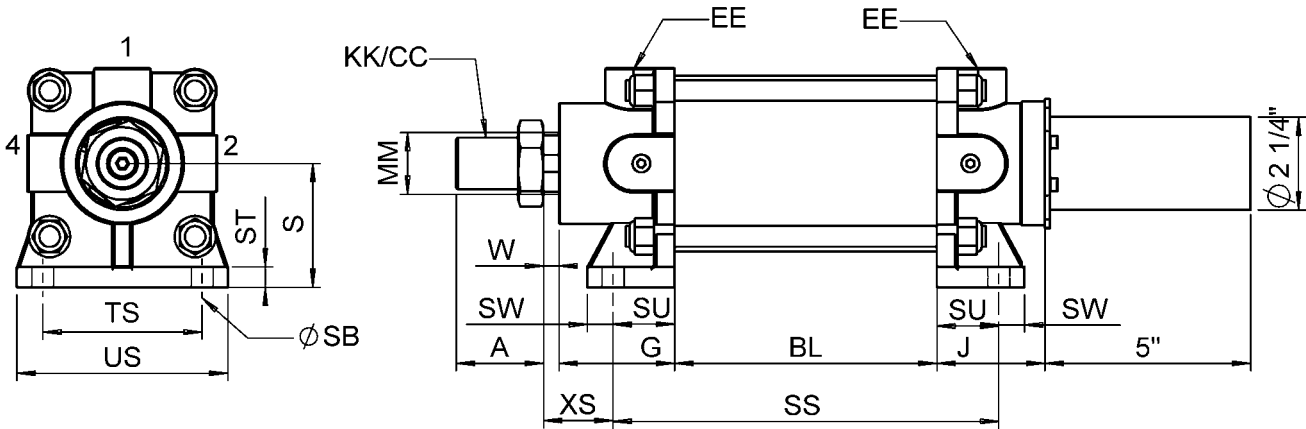
model T1RF Foot Mount



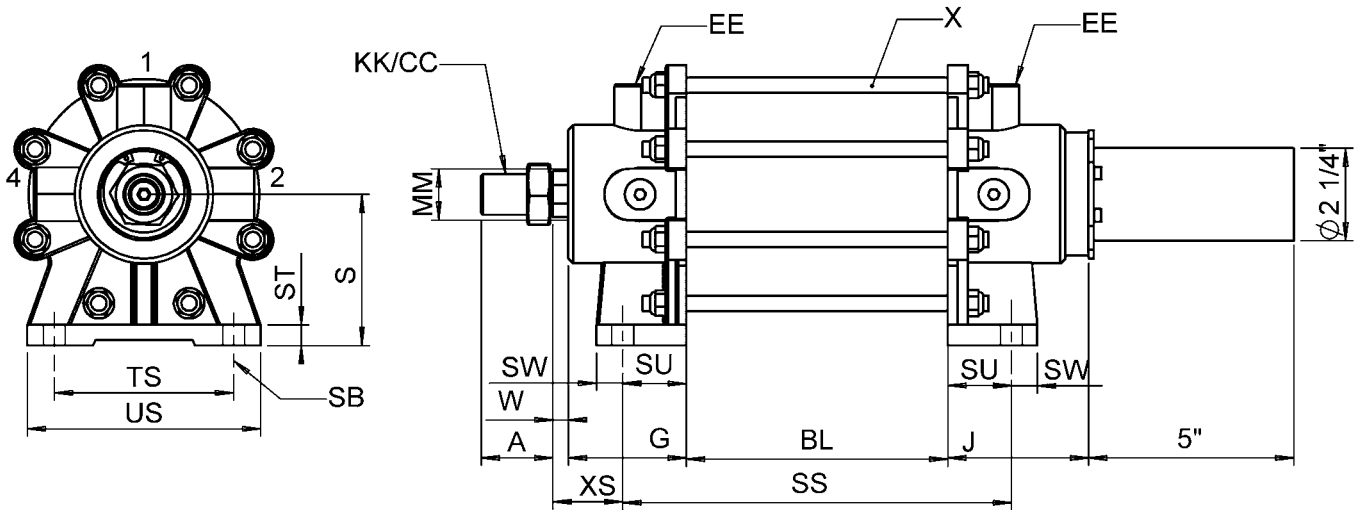
BORE	ROD DIA		ADD STROKE																											
	ROD	MM	KK	CC	A	W	BL	SS	S	SB	ST	SU	SW	TS	US	XS	EE	G	J	X										
2	1	1	3/4-16	7/8-14	1	3/8	1/2	2	4	3/8	2	1/8	3/8	5/16	1	3/16	1/2	2	2	7/8	1	1/4	3/8	1	15/16	2	5/16	3/8		
	1	1	3/4-16	7/8-14	1	3/8	1/2	2	1/4	4	7/8	2	1/2	1/2	3/8	1	5/16	5/8	2	5/8	3	5/8	1	9/16	3/8	2	3/8	2	3/8	3/8
3	2	1 1/4	1-14	N/A	1	3/4	7/16															1	1/2							
	1	1 1/4	1-14	N/A	1	3/4	7/16	2	3/8	5	3/8	3		1/2	1/2	1	1/2	5/8	3	7/8	4	5/8	1	3/4	1/2	2	13/16	2	5/8	1/2
4	2	1 1/2	1 1/4-12	N/A	2	1/8	3/8																1	11/16						
	1	1 1/4	1-14	N/A	1	3/4	3/8	2	3/8	5	1/2	3	11/16	1/2	1/2	1	9/16	5/8	4	3/8	6	3/8	1	11/16	1/2	2	7/8	2	11/16	3/8
5	2	1 1/2	1 1/4-12	N/A	2	1/8	5/16																1	5/8						
	1	1 1/2	1 1/4-12	N/A	2	1/8	7/16	2	5/8	5	5/8	4	3/8	1/2	9/16	1	1/2	7/8	5	7/8	7	3/4	2	7/16	3/4	3	1/2	3	5/8	1/2
6	2	2	1 1/2-12	1 3/4-12	2	1/2	1/2																2	1/2						
	1	2	1 1/2-12	1 3/4-12	2	1/2	1/2	2	3/4	7	5/16	5	3/4	5/8	11/16	2	9/32	27/32	8	1/4	9	3/4	2	19/32	1	4	3/8	3	11/16	1/2
8	2	2 1/2	2-12	2 1/4-12	3	1/2	11/16																2	25/32						

Notes:

1. All dimensions in inches.
2. EE dimension specifies NPTF port. Contact Factory if SAE or Alternate port size is required.
3. See Cylinder Nomenclature for thread options.



Model T1R2F to T1R4F



Model T1R5F to T1R8F

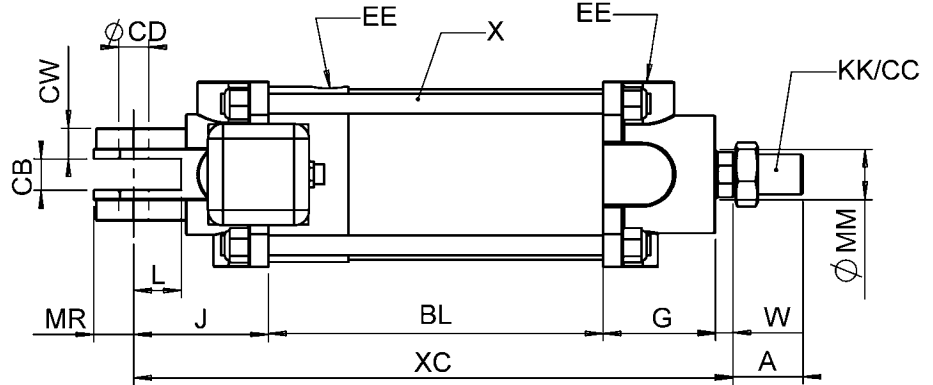
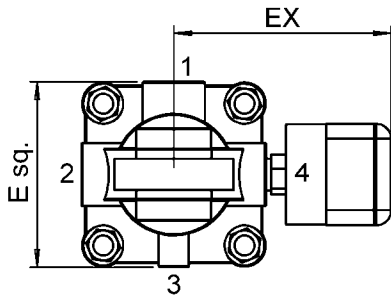


model T2RC Clevis

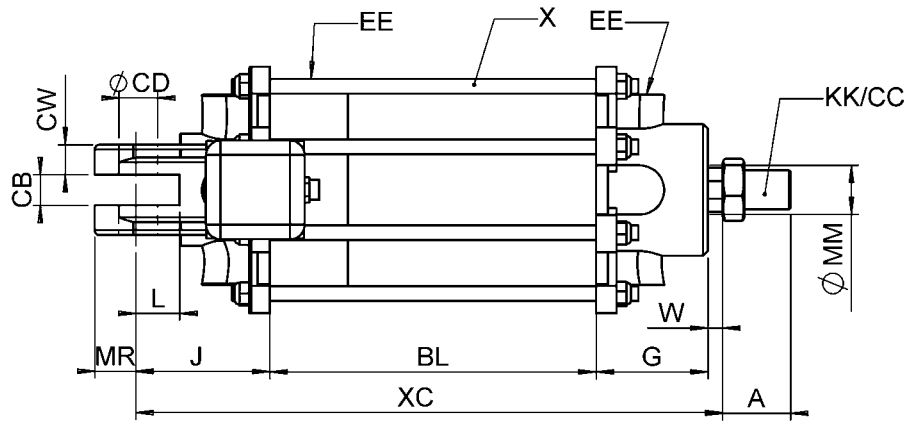
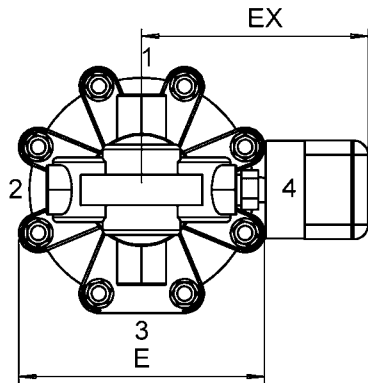
BORE	ROD	ROD DIA		KK	CC	A	W	ADD STROKE		CB	CD	CW	E	EE	G	J	L	MR	X
		MM						BL	XC										
3	1	1		3/4-16	7/8-14	1 3/8	1/2	4 1/4	10	17/32	1/2	5/8	3 5/8	3/8	2 3/8	2 7/8	1	3/4	3/8
	2	1 1/4		1-14	N/A	1 3/4	7/16	4 3/8	9 15/16	25/32	3/4	3/4	4 5/8	1/2	2 13/16	3 3/8	1 3/16	1	1/2
4	1	1 1/4		1-14	N/A	1 3/4	7/16	4 3/8	11	25/32	3/4	7/8	6 3/8	1/2	2 7/8	3 1/2	1 3/16	1	3/8
	2	1 1/2		1 1/4-12	N/A	2 1/8	3/8	4 3/8	10 15/16	25/32	3/4	7/8	6 3/8	1/2	2 7/8	3 1/2	1 3/16	1	3/8
5	1	1 1/4		1-14	N/A	1 3/4	3/8	4 3/8	11 1/8	25/32	3/4	7/8	6 3/8	1/2	2 7/8	3 1/2	1 3/16	1	3/8
	2	1 1/2		1 1/4-12	N/A	2 1/8	5/16	4 3/8	11 1/16	25/32	3/4	7/8	6 3/8	1/2	2 7/8	3 1/2	1 3/16	1	3/8
6	1	1 1/2		1 1/4-12	N/A	2 1/8	7/16	4 5/8	12 15/16	1 1/32	1	15/16	7 3/4	3/4	3 1/2	4 3/8	1 1/4	1 1/4	1/2
	2	2		1 1/2-12	1 3/4-12	2 1/2	1/2	4 5/8	13	1 1/32	1	15/16	7 3/4	3/4	3 1/2	4 3/8	1 1/4	1 1/4	1/2
8	1	2		1 1/2-12	1 3/4-12	2 1/2	1/2	4 3/4	14 3/4	1 5/16	1 1/4	1 1/4	9 3/4	1	4 3/8	5 1/8	1 3/4	1 1/2	1/2
	2	2 1/2		2-12	2 1/4-12	3 1/2	11/16	4 3/4	14 15/16	1 5/16	1 1/4	1 1/4	9 3/4	1	4 3/8	5 1/8	1 3/4	1 1/2	1/2
10	1	2 1/2		2-12	2 1/4-12	3 1/2	3/4	5 3/4	17 1/2	1 9/16	1 1/2	1 7/16	11 3/4	1 1/4	5 1/8	5 7/8	2	1 3/4	5/8
	2	3		2 1/2-12	2 3/4-12	4 1/2	1	5 3/4	17 3/4	1 9/16	1 1/2	1 7/16	11 3/4	1 1/4	5 1/8	5 7/8	2	1 3/4	5/8

Notes:

1. All dimensions in inches.
2. EE dimension specifies NPTF port. Contact Factory if SAE or Alternate port size is required.
3. See Cylinder Nomenclature for thread options.



Model T2R2C to T2R4C



Model T2R5C to T2R10C

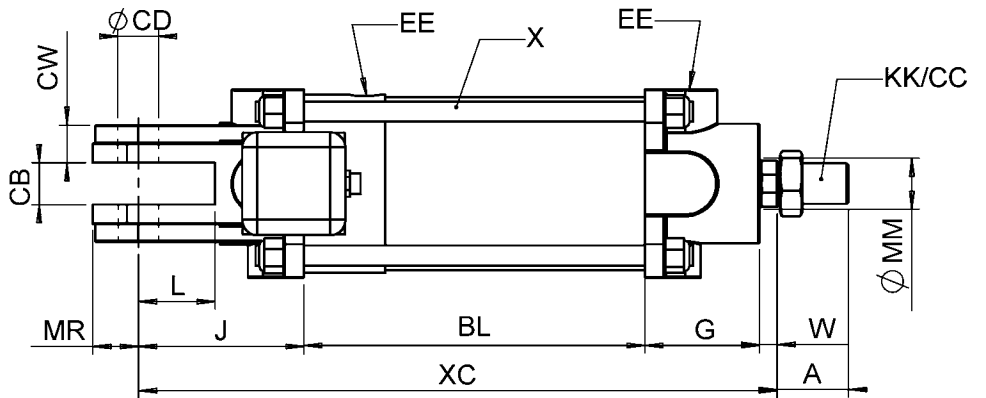
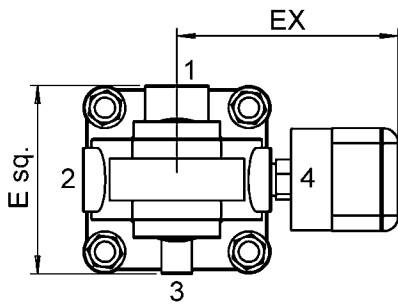
model T2RHC Heavy Duty Clevis



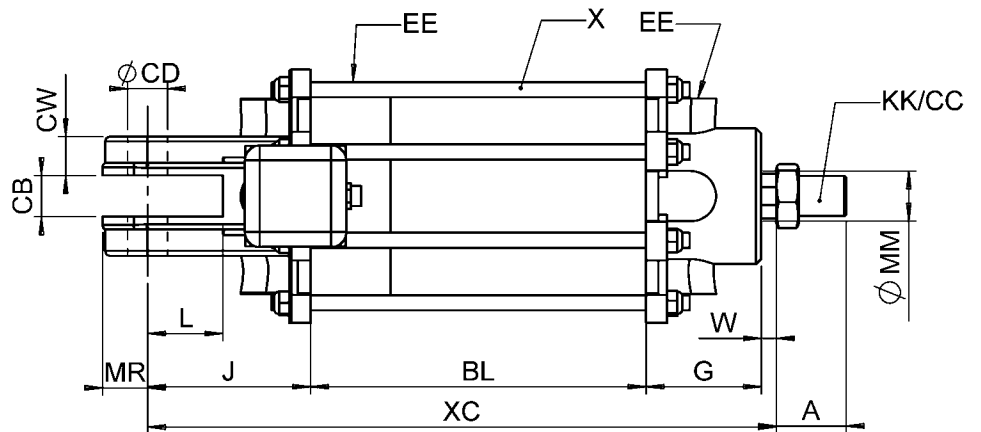
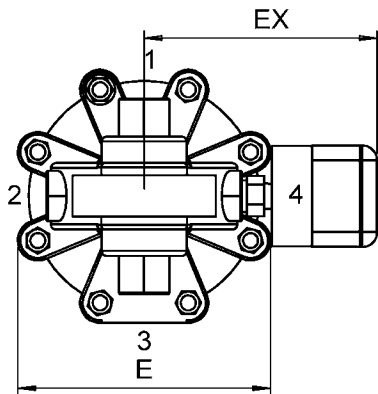
BORE	ROD DIA		ADD STROKE																									
	ROD	MM	KK	CC	A	W	BL	XC	CB	CD	CW	E	EE	G	J	L	MR	X										
3	1	1	3/4-16	7/8-14	1	3/8	1/2	4 1/4	10 1/4	25/32	3/4	13/16	3	5/8	3/8	2	3/8	3	1/8	1	1/4	1	3/8					
	2	1 1/4	1-14	N/A	1	3/4	7/16		10 3/16																			
4	1	1 1/4	1-14	N/A	1	3/4	7/16	4	3/8	11 11/16	1	1/32	1	15/16	4	5/8	1/2	2	13/16	4	1/16	1	7/8	1	1/8	1/2		
	2	1 1/2	1 1/4-12	N/A	2	1/8	3/8		11 5/8																			
5	1	1 1/4	1-14	N/A	1	3/4	3/8	4	3/8	11 11/16	1	1/32	1	15/16	6	3/8	1/2	2	7/8	4	1/16	1	7/8	1	1/8	3/8		
	2	1 1/2	1 1/4-12	N/A	2	1/8	5/16		11 5/8																			
6	1	1 1/2	1 1/4-12	N/A	2	1/8	7/16	4	5/8	13 7/16	1	5/16	1	1/4	1	7/32	7	3/4	3/4	3	1/2	4	7/8	1	3/4	1	1/2	
	2	2	1 1/2-12	1 3/4-12	2	1/2	1/2		13 1/2																			
8	1	2	1 1/2-12	1 3/4-12	2	1/2	1/2	4	3/4	15 1/4	1	9/16	1	1/2	1	7/16	9	3/4	1	4	3/8	5	5/8	2	1/4	1	7/8	1/2
	2	2 1/2	2-12	2 1/4-12	3	1/2	11/16		15 7/16																			

Notes:

1. All dimensions in inches.
2. EE dimension specifies NPTF port. Contact Factory if SAE or Alternate port size is required.
3. See Cylinder Nomenclature for thread options.



Model T2R3HC and T2R4HC



Model T2R5HC and T2R8HC

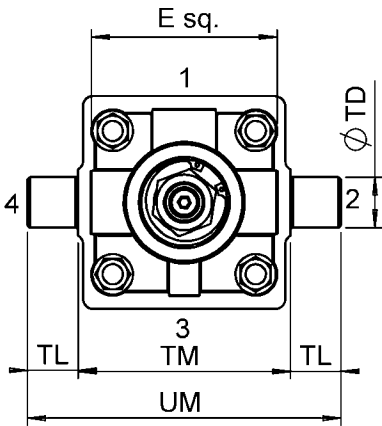


model T1RT Mid Trunnion

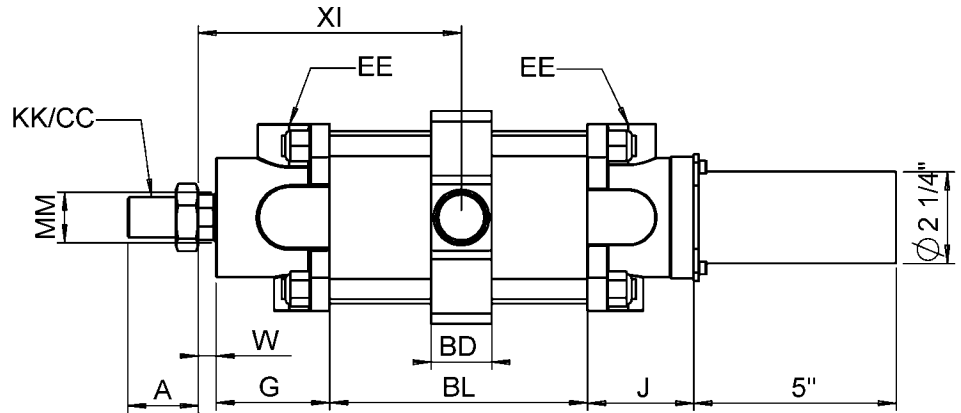
BORE	ROD DIA		Model T Dimensions																
	ROD	MM	KK	CC	A	W	XI min	ADD STROKE			BD	TD	TL	TM	UM	E	EE	G	J
2	1	1	3/4-16	7/8-14	1 3/8	1/2	3	3 7/8	2	1	3/4	1	3	5	2 7/8	3/8	1 15/16	2 5/16	3/8
	1	1	3/4-16	7/8-14	1 3/8	1/2	3 9/16	4 7/16	2 1/4	1 1/4	3/4	1	4	6	3 5/8	3/8	2 3/8	2 3/8	3/8
3	1	1 1/4	1-14	N/A	1 3/4	7/16	3 1/2	4 3/8											
	1	1 1/4	1-14	N/A	1 3/4	7/16	4 1/16	4 13/16	2 3/8	1 1/2	1	1 1/4	5 1/4	7 3/4	4 5/8	1/2	2 13/16	2 5/8	1/2
4	1	1 1/2	1 1/4-12	N/A	2 1/8	3/8	4	4 3/4											
	1	1 1/2	1 1/4-12	N/A	2 1/8	3/8	4 1/16	4 13/16	2 3/8	1 1/2	1	1 1/4	6 1/2	9	6 3/8	1/2	2 7/8	2 11/16	3/8
5	1	1 1/4	1-14	N/A	1 3/4	3/8	4	4 3/4											
	2	1 1/2	1 1/4-12	N/A	2 1/8	5/16	4	4 3/4											
6	1	1 1/2	1 1/4-12	N/A	2 1/8	7/16	4 7/8	5 5/8	2 5/8	1 3/4	1 1/4	1 1/2	8	11	7 3/4	3/4	3 1/2	3 5/8	1/2
	2	2	1 1/2-12	1 3/4-12	2 1/2	1/2	4 15/16	5 11/16											
8	1	2	1 1/2-12	1 3/4-12	2 1/2	1/2	6 3/16	6 5/16	2 3/4	2 1/2	1 3/4	2	10	14	9 3/4	1	4 3/8	3 11/16	1/2
	2	2 1/2	2-12	2 1/4-12	3 1/2	11/16	6 3/8	6 1/2											
10	1	2 1/2	2-12	2 1/4-12	3 1/2	3/4	7 9/16	7 11/16	3 1/2	3 1/4	2	2 3/8	13	17 3/4	11 3/4	1 1/4	5 1/8	4 5/16	5/8
	2	3	2 1/2-12	2 3/4-12	4 1/2	1	7 13/16	7 15/16											

Notes:

1. All dimensions in inches.
2. EE dimension specifies NPTF port. Contact Factory if SAE or Alternate port size is required.
3. See Cylinder Nomenclature for thread options.



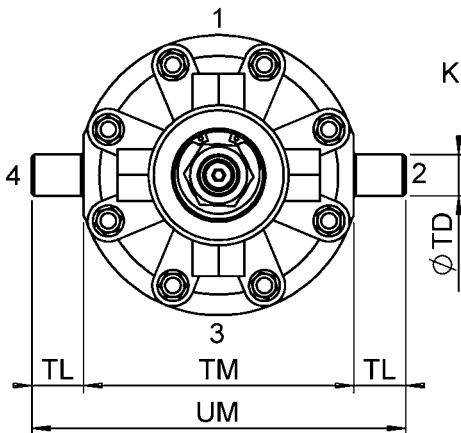
Model T1R2T to T1R4T



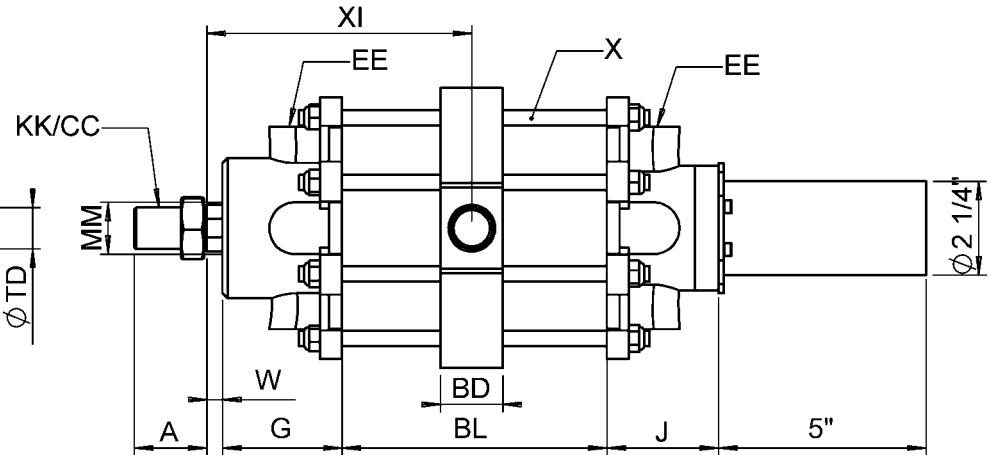
Warning

Trunnion Mounted Cylinders swivel in one direction only and are designed to carry shear loads. Pins must be held rigidly and in accurate alignment. Improper mounting may result in premature failure.

Note: Specify XI value when ordering Mid Trunnion Mounted Cylinders.



Model T1R5T to T1R10T



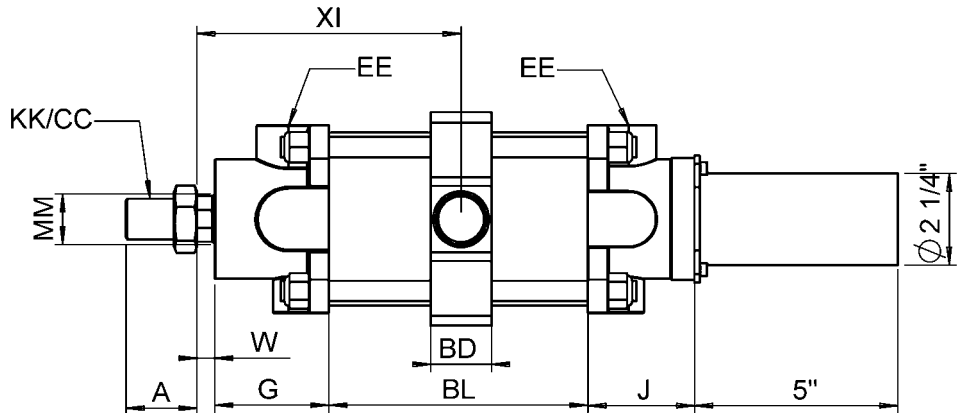
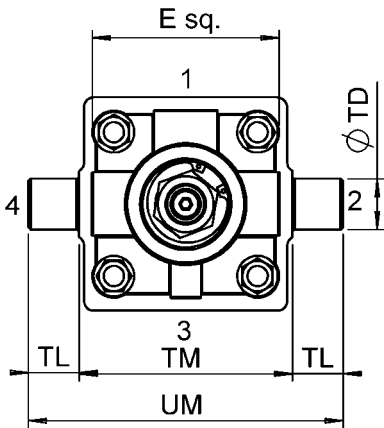
model T1RHT Heavy Duty Mid Trunnion



BORE	ROD DIA		Model HT Dimensions							E	EE	G	J	X						
	ROD	MM	KK	CC	A	W	ADD STROKE	BD	TD						TL	TM	UM			
3	1	1	3/4-16	7/8-14	1 3/8	1/2	XI min	XI max	BL	1 1/4	1	1	4	6	3 5/8	3/8	2 3/8	2 3/8	3/8	
	2	1 1/4	1-14	N/A	1 3/4	7/16	3 9/16	4 7/16	2 1/4	1 1/4	1	1	4	6	3 5/8	3/8	2 3/8	2 3/8	3/8	
4	1	1 1/4	1-14	N/A	1 3/4	7/16	3 1/2	4 3/8	4 13/16	2 3/8	1 1/2	1 1/4	1 1/4	5 1/4	7 3/4	4 5/8	1/2	2 13/16	2 5/8	1/2
	2	1 1/2	1 1/4-12	N/A	2 1/8	3/8	4	4 3/4	4 13/16	2 3/8	1 1/2	1 3/8	1 3/8	6 1/2	9 1/4	6 3/8	1/2	2 7/8	2 11/16	3/8
5	1	1 1/4	1-14	N/A	1 3/4	3/8	4 1/16	4 13/16	2 3/8	1 1/2	1 3/8	1 3/8	6 1/2	9 1/4	6 3/8	1/2	2 7/8	2 11/16	3/8	
	2	1 1/2	1 1/4-12	N/A	2 1/8	5/16	4	4 3/4	4 13/16	2 3/8	1 1/2	1 3/8	1 3/8	6 1/2	9 1/4	6 3/8	1/2	2 7/8	2 11/16	3/8
6	1	1 1/2	1 1/4-12	N/A	2 1/8	7/16	4 7/8	5 5/8	2 5/8	1 3/4	1 1/2	1 1/2	8	11	7 3/4	3/4	3 1/2	3 5/8	1/2	
	2	2	1 1/2-12	1 3/4-12	2 1/2	1/2	4 15/16	5 11/16	2 1/2	1 3/4	1 1/2	1 1/2	8	11	7 3/4	3/4	3 1/2	3 5/8	1/2	
8	1	2	1 1/2-12	1 3/4-12	2 1/2	1/2	6 3/16	6 5/16	2 3/4	2 1/2	2	2	10	14	9 3/4	1	4 3/8	3 11/16	1/2	
	2	2 1/2	2-12	2 1/4-12	3 1/2	11/16	6 3/8	6 1/2	2 3/4	2 1/2	2	2	10	14	9 3/4	1	4 3/8	3 11/16	1/2	
10	1	2 1/2	2-12	2 1/4-12	3 1/2	3/4	7 9/16	7 11/16	3 1/2	3 1/4	2 1/2	2 1/2	13	18	11 3/4	1 1/4	5 1/8	4 5/16	5/8	
	2	3	2 1/2-12	2 3/4-12	4 1/2	1	7 13/16	7 15/16	3 1/2	3 1/4	2 1/2	2 1/2	13	18	11 3/4	1 1/4	5 1/8	4 5/16	5/8	

Notes:

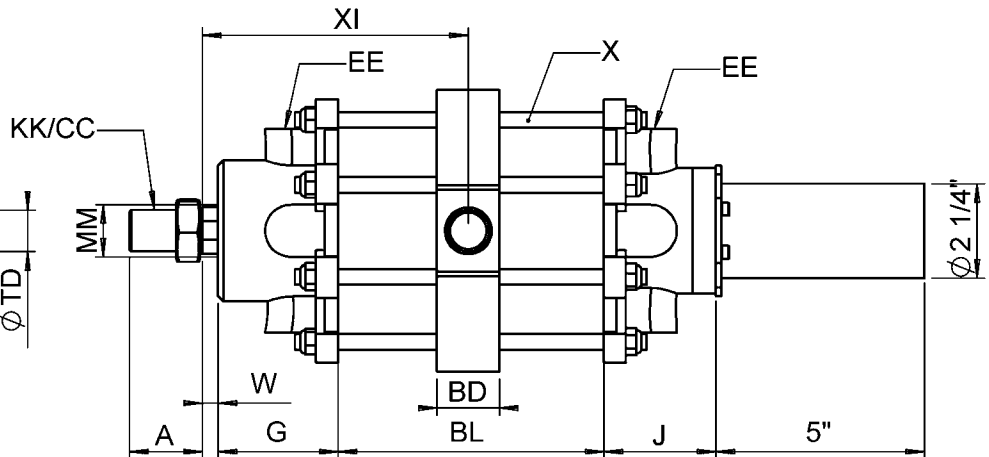
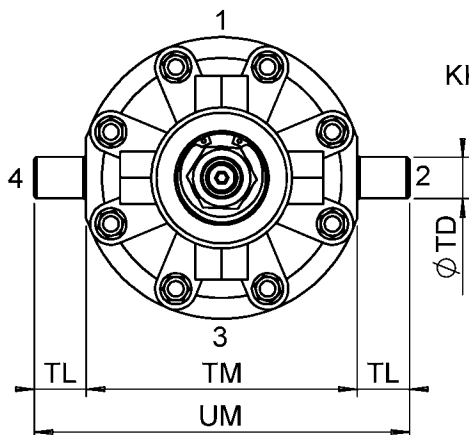
1. All dimensions in inches.
2. EE dimension specifies NPTF port. Contact Factory if SAE or Alternate port size is required.
3. See Cylinder Nomenclature for thread options.



Warning

Trunnion Mounted Cylinders swivel in one direction only and are designed to carry shear loads. Pins must be held rigidly and in accurate alignment. Improper mounting may result in premature failure.
 Note: Specify XI value when ordering Mid Trunnion Mounted Cylinders.

Model T1R3HT and T1R4HT



Model T1R5HT to T1R10HT

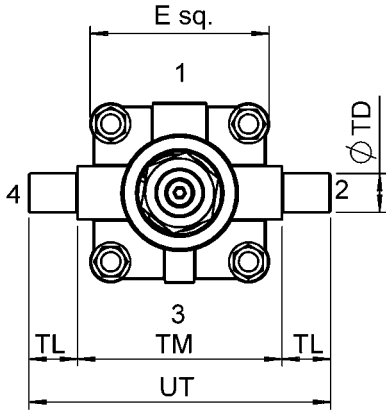


model **T1RTR** Rod End Trunnion

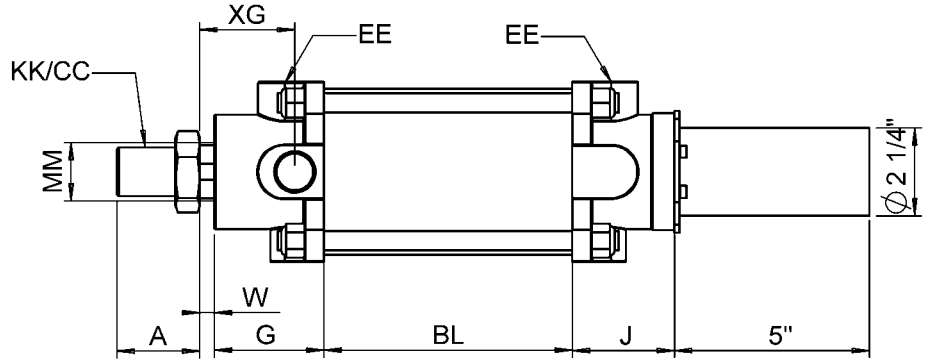
Model TR Dimensions																	
BORE	ROD DIA		ADD STROKE														
	ROD	MM	KK	CC	A	W	XG	BL	TD	TL	TM	UT	E	EE	G	J	XX
2	1	1	3/4-16	7/8-14	1 3/8	1/2	1 15/16	2	3/4	1	3	5	2 7/8	3/8	1 15/16	2 5/16	3/8
	2	1 1/4	1-14	N/A	1 3/4	7/16	2 1/8	2 1/4	3/4	1	4	6	3 5/8	3/8	2 3/8	2 3/8	3/8
3	1	1 1/4	1-14	N/A	1 3/4	7/16	2 1/2	2 3/8	1	1 1/4	5 1/4	7 3/4	4 5/8	1/2	2 13/16	2 5/8	1/2
	2	1 1/2	1 1/4-12	N/A	2 1/8	3/8	2 7/16	2 3/8	1	1 1/4	6 1/2	9	6 3/8	1/2	2 7/8	2 11/16	3/8
4	1	1 1/2	1 1/4-12	N/A	2 1/8	5/16	2 1/2	2 5/8	1 1/8	1 1/2	8	11	7 3/4	3/4	3 1/2	3 5/8	1/2
	2	2	1 1/2-12	1 3/4-12	2 1/2	1/2	3 1/8	2 3/4	1 3/4	2	10	14	9 3/4	1	4 3/8	3 11/16	1/2
5	1	2	1 1/2-12	1 3/4-12	2 1/2	1/2	3 7/8	2 3/4	1 3/4	2	10	14	9 3/4	1	4 3/8	3 11/16	1/2
	2	2 1/2	2-12	2 1/4-12	3 1/2	11/16	4 1/8	3 1/2	2	2 3/8	13	17 3/4	11 3/4	1 1/4	5 1/8	4 5/16	5/8
6	1	2 1/2	2-12	2 1/4-12	3 1/2	3/4	4 1/4	3 1/2	2	2 3/8	13	17 3/4	11 3/4	1 1/4	5 1/8	4 5/16	5/8
	2	3	2 1/2-12	2 3/4-12	4 1/2	1	4 1/2	3 1/2	2	2 3/8	13	17 3/4	11 3/4	1 1/4	5 1/8	4 5/16	5/8

Notes:

1. All dimensions in inches.
2. EE dimension specifies NPTF port. Contact Factory if SAE or Alternate port size is required.
3. See Cylinder Nomenclature for thread options.

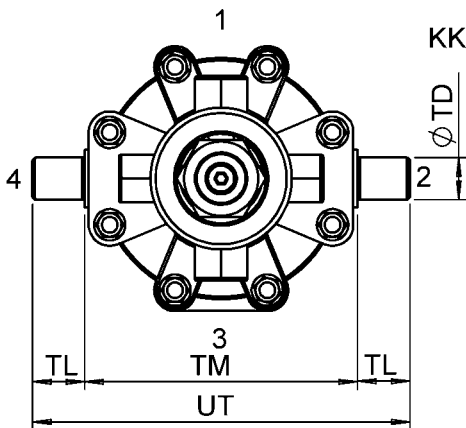


Model **T1R2TR** to **T1R4TR**



Warning

Trunnion Mounted Cylinders swivel in one direction only and are designed to carry shear loads. Pins must be held rigidly and in accurate alignment. Improper mounting may result in premature failure.



Model **T1R5TR** to **T1R10TR**

