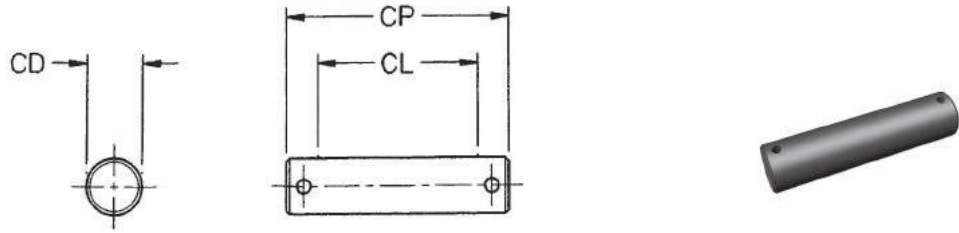


**Pins**



**Pivot Pins**

Supplied with cotter pins

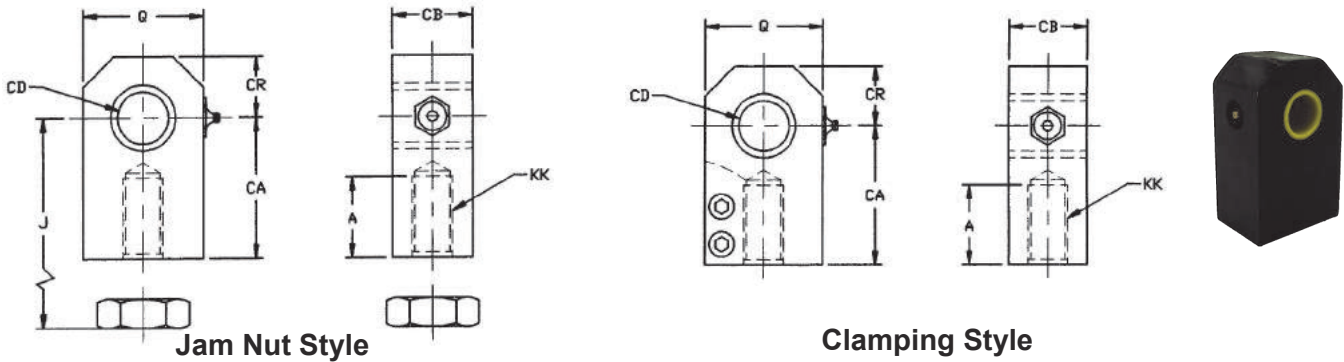
| PART | P3     | P4    | P6      | HP4     | P12   | HP6   | HP5C    | HP7    | HP8   | HP7C  | HP10  | HP12   |
|------|--------|-------|---------|---------|-------|-------|---------|--------|-------|-------|-------|--------|
| CD   | 1/2    | 3/4   | 1       | 1 3/8   | 1 3/4 | 2     | 2       | 2 1/2  | 3     | 3     | 3 1/2 | 4      |
| CL   | 1 3/4  | 2 1/2 | 3 1/16  | 4       | 5     | 5 1/2 | 5 13/16 | 6 3/16 | 6     | 6 1/2 | 8     | 9      |
| CP   | 2 5/16 | 3 1/8 | 3 19/32 | 4 13/16 | 6 1/8 | 6     | 6 3/8   | 7 1/4  | 7 1/4 | 7 5/8 | 9 1/4 | 10 1/4 |

**Pivot Pins for Self-Aligning Rod Eye**

Adapts to HWM mounting bracket. Comes complete with cotter pins

| PART | HWP15  | HWP2   | HWP32   | HWP4   | HWP5   | HWP6    | HWP8  |
|------|--------|--------|---------|--------|--------|---------|-------|
| CD   | 1/2    | 3/4    | 1       | 1 3/8  | 1 3/4  | 2       | 3     |
| CL   | 1 5/16 | 2      | 2 17/32 | 3 3/32 | 3 7/16 | 3 15/16 | 6 1/8 |
| CP   | 1 7/8  | 2 9/16 | 3 3/16  | 3 3/4  | 4 3/16 | 4 11/16 | 7 1/4 |

**Rod Eye - Mill Duty \*Pneumatic Only**



**Jam Nut Style**

**Clamping Style**

Note - "C" denotes Clamping Style

| PART               | RE3     | E3     | RE4-C | E4     | RE6-C    | E6       | RE8-C    | E8       | E10-C | E12-C    | E14-C |
|--------------------|---------|--------|-------|--------|----------|----------|----------|----------|-------|----------|-------|
| A                  | 1 1/2   | 1 3/4  | 1 1/2 | 2      | 2        | 2 3/8    | 2 1/4    | 2 3/4    | 3     | 3        | 3     |
| CA                 | 2 1/2   | 3 1/8  | 2 7/8 | 3 1/2  | 3 11/16  | 4        | 4 1/4    | 5        | 5 1/4 | 5 1/4    | 5 3/4 |
| CB                 | 1 3/4   | 2      | 1 3/4 | 2      | 2        | 2 1/4    | 2 1/4    | 3 1/2    | 3 1/2 | 3 1/2    | 4     |
| CD                 | 1       | 1      | 1 1/4 | 1 1/4  | 1 1/2    | 1 1/2    | 2        | 2        | 2     | 2 1/2    | 2 1/2 |
| CR                 | 1       | 1 3/8  | 1 1/8 | 1 1/2  | 1 5/8    | 1 3/4    | 1 3/4    | 2 1/4    | 2 1/4 | 2 3/4    | 2 3/4 |
| J                  | 2 15/16 | 3 9/16 |       | 4 1/16 |          | 4 5/8    |          | 5 13/16  |       |          |       |
| KK                 | 3/4-16  | 3/4-16 | 1-14  | 1-14   | 1 1/4-12 | 1 1/4-12 | 1 1/2-12 | 1 1/2-12 | 2-12  | 2 1/2-12 | 3-12  |
| Q                  | 2       | 2 3/4  | 2 1/4 | 3      | 3        | 3 1/2    | 3 1/2    | 4 1/2    | 4 1/2 | 5 1/2    | 5 1/2 |
| LOAD CAPACITY (lb) | 11800   | 27000  | 9800  | 24750  | 24750    | 32500    | 43000    | 66900    | 66900 | 82600    | 94500 |